



GCELL FARASOO TOWZIN

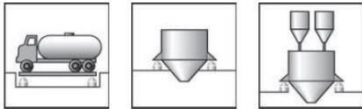
Model: BKP 22t,30t

Self restoring

Rocker pin load cell

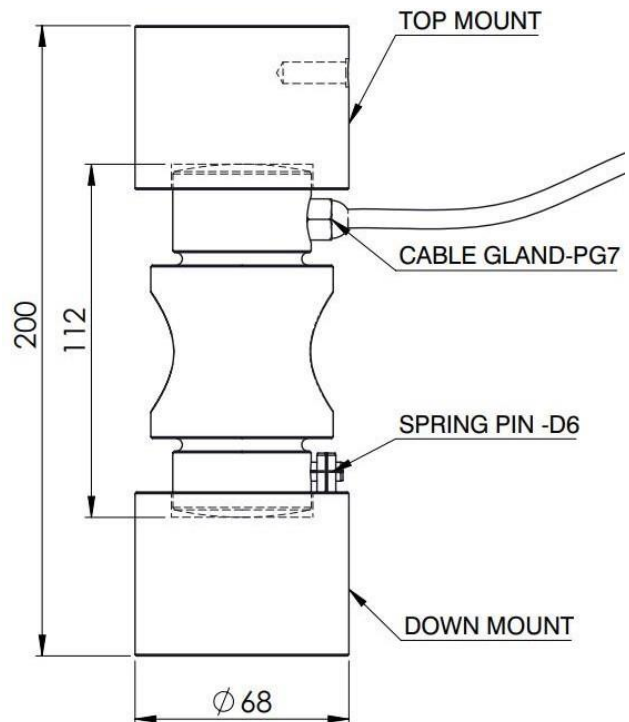
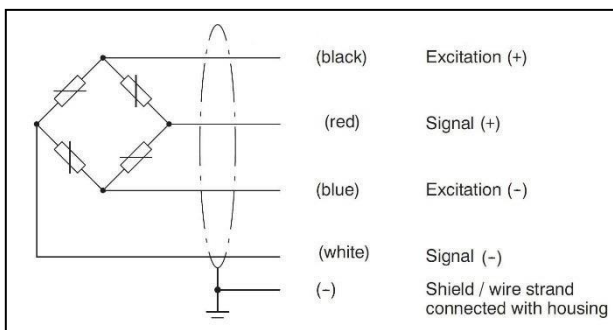
Special features:

- ✓ Self-restoring function
 - ✓ Low profile
 - ✓ Simple to install
 - ✓ Legal for trade verification
 - Up to 4000 d (OIML R60)
- Optimized for parallel connection by
Corner pre adjustment



Dimensions & accessories:

Wiring code (4 wire circuit):



SPECIFICATIONS					UNIT
Type	BKP				
Accuracy class acc. to OIML R60	C3		C4		
Maximum capacity(E_{max})	22t	30t	22t	30t	
Max. numbers of load cell verification intervals(N_{LC})	3,000		4,000		
Combined error	$\leq \pm 0.02$		$\leq \pm 0.015$		% E_{max}
Temperature effect on sensitivity (TK_c)	$\leq \pm 0.02$		$\leq \pm 0.015$		Fs/10°C
Temperature effect on minimum dead load output	$\leq \pm 0.02$		$\leq \pm 0.015$		Fs/10°C
Sensitivity (C_N)	$2.0 \pm 1\%$	$2.85 \pm 1\%$	$2.0 \pm 1\%$	$2.85 \pm 1\%$	mV/V
Min. load cell verification interval (V_{min})	10,000				
Input resistance (black-blue)	700 ± 20				Ω
Output resistance (red-white)	700 ± 7				Ω
Nominal range of excitation voltage (B_u)	5.. 12				V _{DC}
Insulation resistance (100 V _{DC})	>5				G Ω
Compensated temperature range	-10 .. +40				°C
Operating temperature range	-40 ..+80				°C
Limit load (E_L)	150				% of E_{max}
Breaking load (E_D)	200				% of E_{max}
Weight (G) with cable approx.	2				kg
Protection grade	IP68				
Cable length	13				m
Material: measuring body + housing	Alloy steel				