



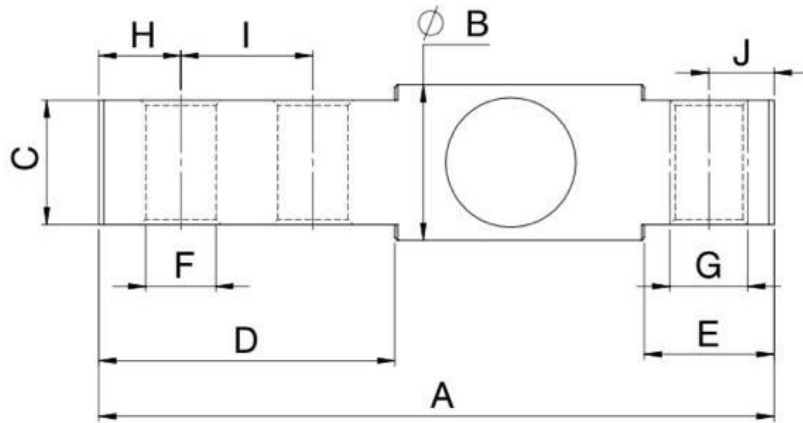
GCELL FARASOO TOWZIN

Model: BEM 1000kg, 5000kg



Special features:

- ✓ Alloy steel construction
- ✓ Platform scales
- ✓ Hopper and tank weighing systems
- Up to 3000 d



	DIMENSIONS (MM)	
	BEM-1000	BEM-5000
A	130	170
B	30	39.5
C	24	32
D	57	76
E	25	35
F	13.5	19
G	M12X1.75	M18X1.5
H	15.8	19
I	25.4	38.1
J	12.6	17.7



SPECIFICATIONS		UNIT	
Type	BEM		
Accuracy class acc. to OIML R60	C3		
Maximum capacity(E_{max})	1000	5000	Kg
Max. numbers of load cell verification intervals(N_{LC})	3,000		
Combined error	$\leq \pm 0.02$	$\leq \pm 0.015$	% E_{max}
Temperature effect on sensitivity (TK_c)	$\leq \pm 0.02$	$\leq \pm 0.015$	Fs/10°C
Temperature effect on minimum dead load output	$\leq \pm 0.02$	$\leq \pm 0.015$	Fs/10°C
Sensitivity (C_N)	$3 \pm 1\%$		mV/V
Min. load cell verification interval (V_{min})	5000		
Input resistance (black-blue)	700 ± 20		Ω
Output resistance (red-white)	700 ± 7		Ω
Nominal range of excitation voltage (B_u)	5.. 12		V_{DC}
Insulation resistance (100 V_{DC})	>5		G Ω
Compensated temperature range	-10 .. +40		°C
Operating temperature range	-40 ..+80		°C
Limit load (E_L)	150		% of E_{max}
Breaking load (E_D)	200		% of E_{max}
Protection grade	IP67		
Cable length	3		m
Material: measuring body + housing	Alloy steel		